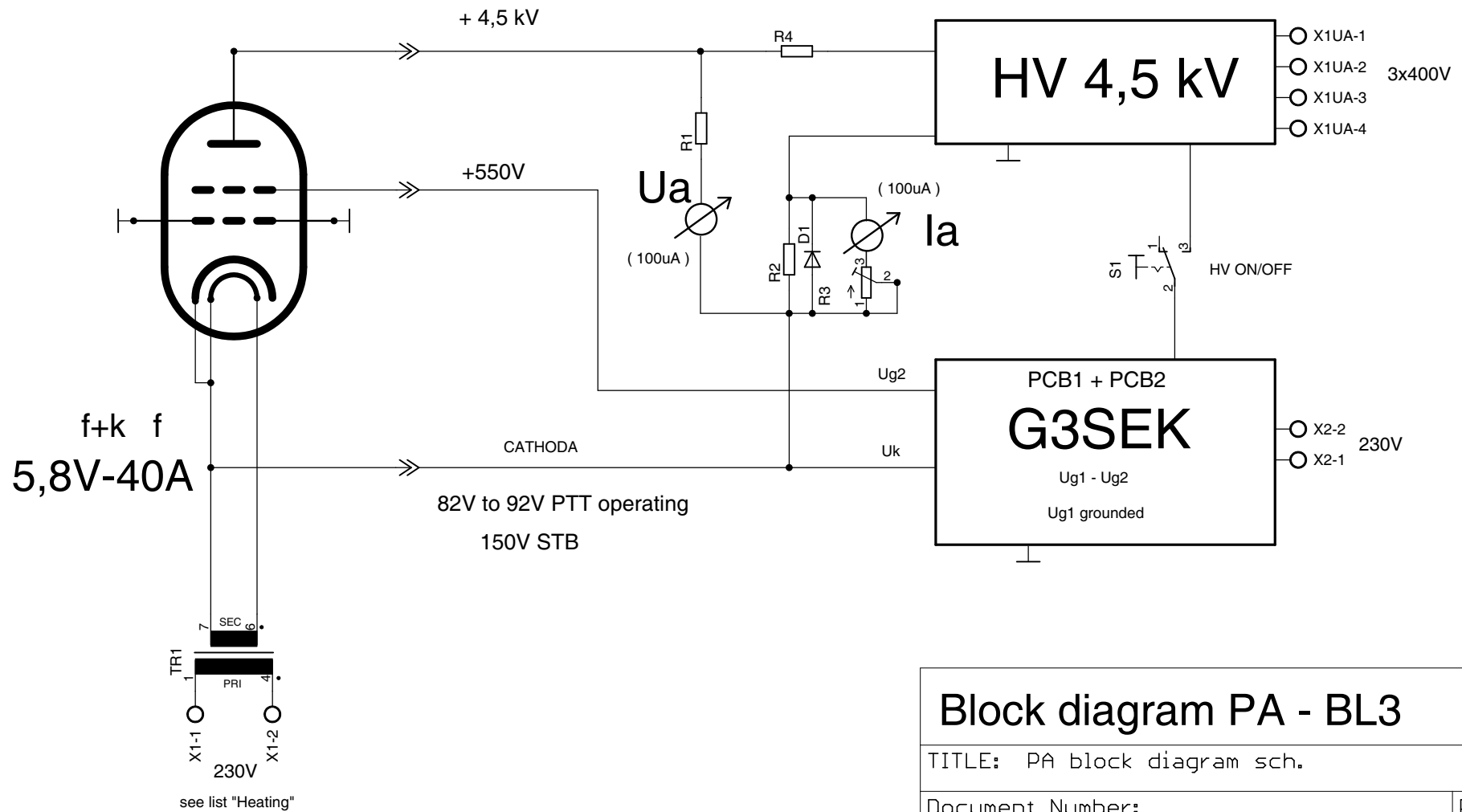


# TH 327 - 347



## Block diagram PA - BL3

TITLE: PA block diagram sch.

Document Number:

Revised 12/01/2012

REV:

Date: 15.1.2012 22:43:17

Sheet: 1/1