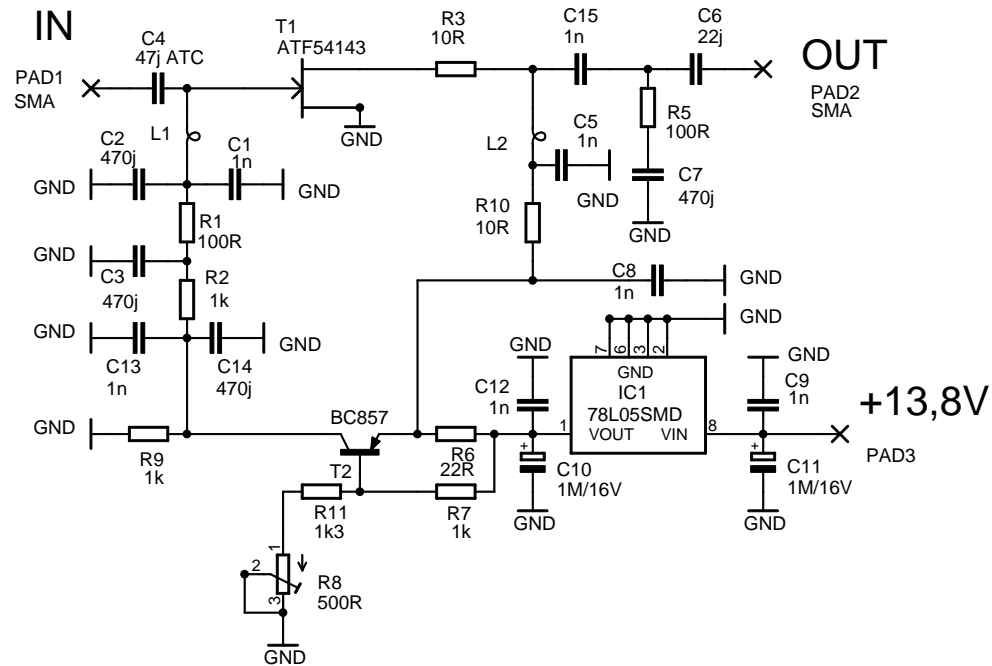


# 1296 MHz High IP LNA - 0,4dB N/F - 17dB Gain - IP3 +9dBm



L1 - 2 mm long CuAg 0,2mm diameter as a U from pad to pad  
 L2 - 2winds CuL 0,2mm on dia 2mm

**Final version**

TITLE: 1296MHz ATF54143

Document Number:

REV:

Date: 16.02.2007 16:10:20

Sheet: 1/1