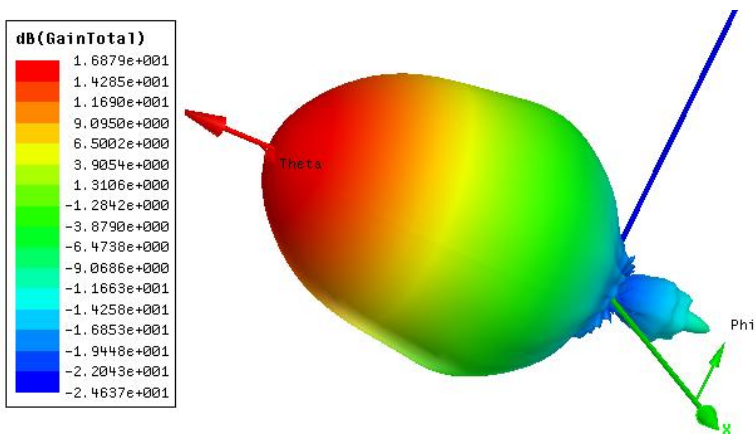
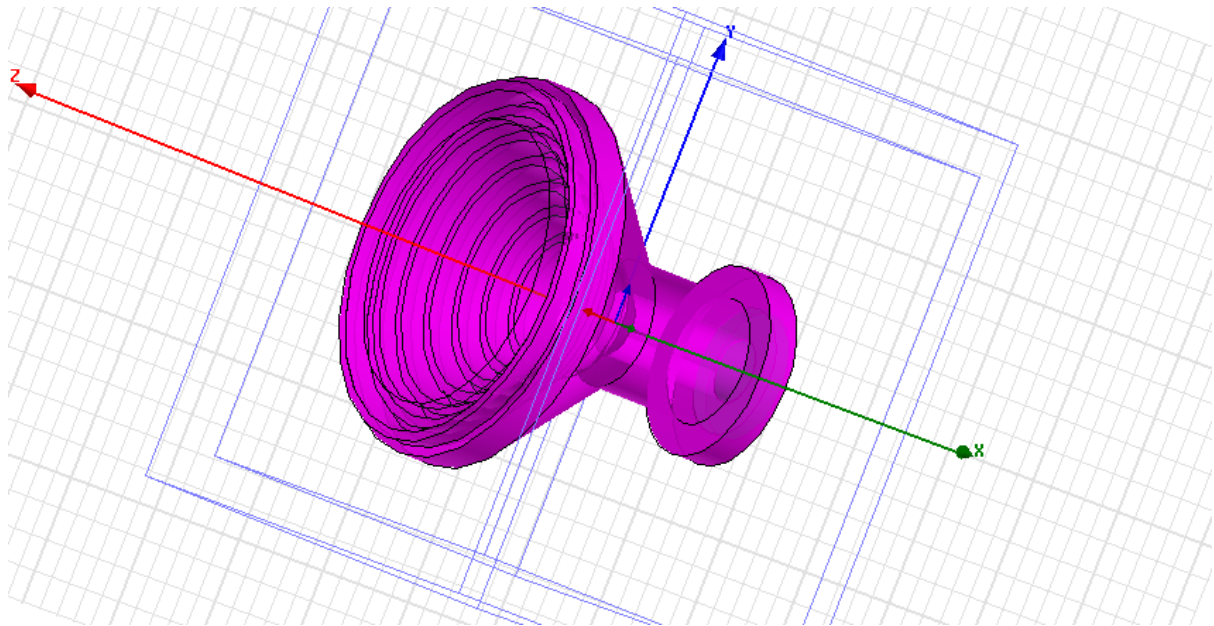


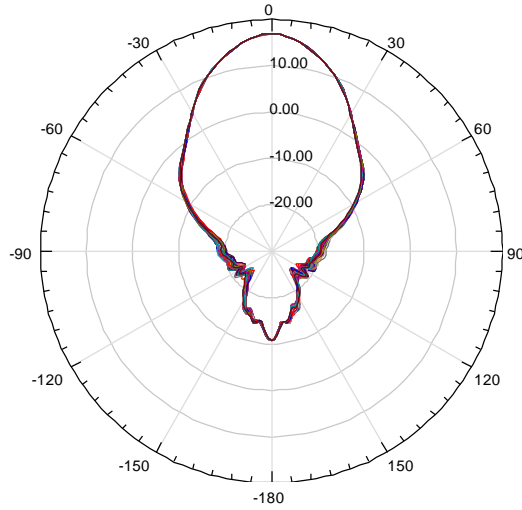
Conical_Horn_4_1aa.hfss

Scalar feed for offset dish $f/d = 0,8$ and frequency 24 GHz

by Mirek Kasal OK2AQ



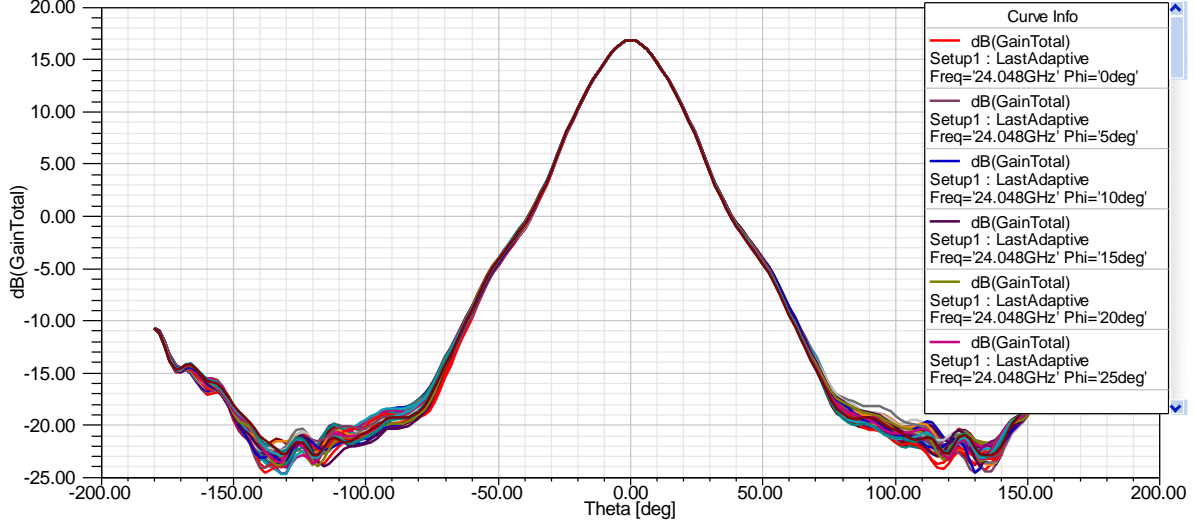
Radiation Pattern 1



ConicalHorn_Antenna_ADKv1

Curve Info	
dB(GainTotal)	Setup1 : LastAdaptive
Freq='24.048GHz'	Phi='0deg'
dB(GainTotal)	Setup1 : LastAdaptive
Freq='24.048GHz'	Phi='5deg'
dB(GainTotal)	Setup1 : LastAdaptive
Freq='24.048GHz'	Phi='10deg'
dB(GainTotal)	Setup1 : LastAdaptive
Freq='24.048GHz'	Phi='15deg'
dB(GainTotal)	Setup1 : LastAdaptive
Freq='24.048GHz'	Phi='20deg'
dB(GainTotal)	Setup1 : LastAdaptive
Freq='24.048GHz'	Phi='25deg'
dB(GainTotal)	Setup1 : LastAdaptive
Freq='24.048GHz'	Phi='30deg'

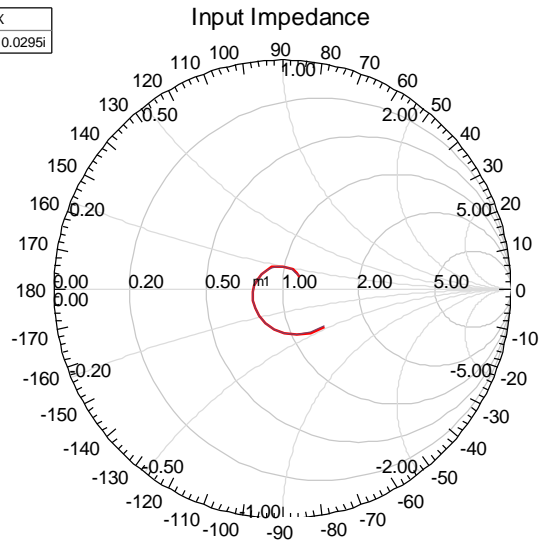
XY Plot 1



ConicalHorn_Antenna_ADKv1

Curve Info	
dB(GainTotal)	Setup1 : LastAdaptive
Freq='24.048GHz'	Phi='0deg'
dB(GainTotal)	Setup1 : LastAdaptive
Freq='24.048GHz'	Phi='5deg'
dB(GainTotal)	Setup1 : LastAdaptive
Freq='24.048GHz'	Phi='10deg'
dB(GainTotal)	Setup1 : LastAdaptive
Freq='24.048GHz'	Phi='15deg'
dB(GainTotal)	Setup1 : LastAdaptive
Freq='24.048GHz'	Phi='20deg'
dB(GainTotal)	Setup1 : LastAdaptive
Freq='24.048GHz'	Phi='25deg'

Name	Freq	Ang	Mag	RX
m1	24.0000	171.3512	0.1237	0.7816 + 0.0295i



ConicalHorn_Antenna_ADkV1

Curve Info	
—	S(1,1)
Setup1 : Sweep1	
—	S(2,2)
Setup1 : Sweep1	

Properties: Conical_Horn_4_1aa - ConicalHorn_Antenna_ADkV1

Local Variables

Value
 Optimization
 Tuning
 Sensitivity
 Statistics

Name	Value	Unit	Evaluated Value	Type	Description	Read-only	Hidden
--Waveguide ...				Design		<input type="checkbox"/>	<input type="checkbox"/>
WG_Radius	5	mm	5mm	Design		<input type="checkbox"/>	<input type="checkbox"/>
WG_Length	23	mm	23mm	Design		<input type="checkbox"/>	<input type="checkbox"/>
Wall_Thickness	5	mm	5mm	Design		<input type="checkbox"/>	<input type="checkbox"/>
--Horn Dimensi...				Design		<input type="checkbox"/>	<input type="checkbox"/>
Horn_Radius	30	mm	30mm	Design		<input type="checkbox"/>	<input type="checkbox"/>
Horn_Length	27	mm	27mm	Design		<input type="checkbox"/>	<input type="checkbox"/>
--Air Box				Design		<input type="checkbox"/>	<input type="checkbox"/>
Airbox_dist	4.1555	mm	4.1555mm	Design		<input type="checkbox"/>	<input type="checkbox"/>
--Virtual Object...				Design		<input type="checkbox"/>	<input type="checkbox"/>
VirtualObject_...	1.2466	mm	1.2466mm	Design		<input type="checkbox"/>	<input type="checkbox"/>
Flange_thickn...	5	mm	5mm	Design		<input type="checkbox"/>	<input type="checkbox"/>
Flange_radius	15	mm	15mm	Design		<input type="checkbox"/>	<input type="checkbox"/>

Show Hidden