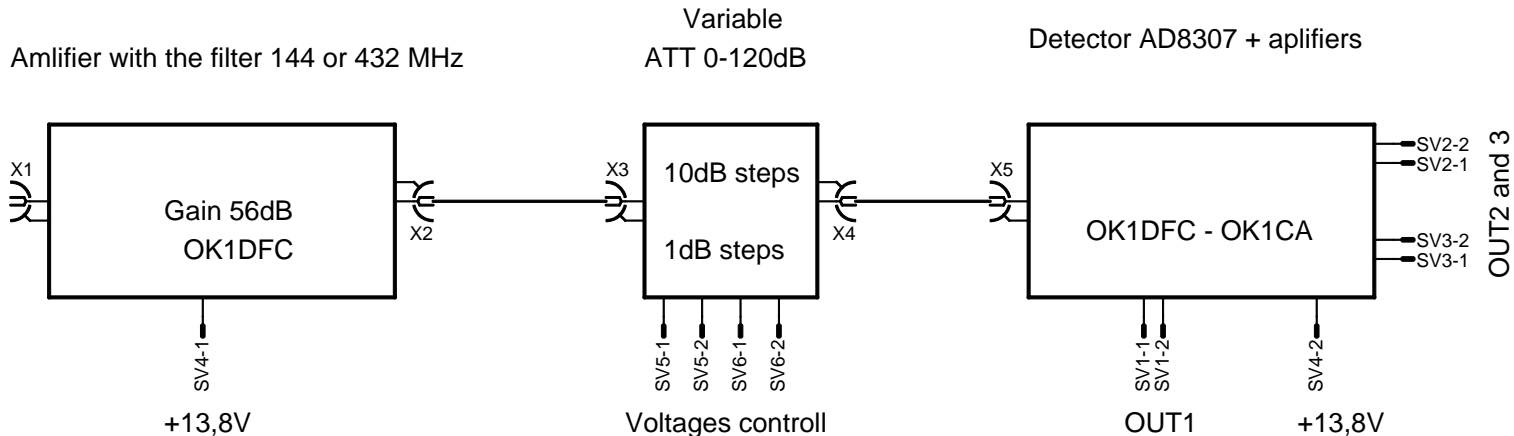
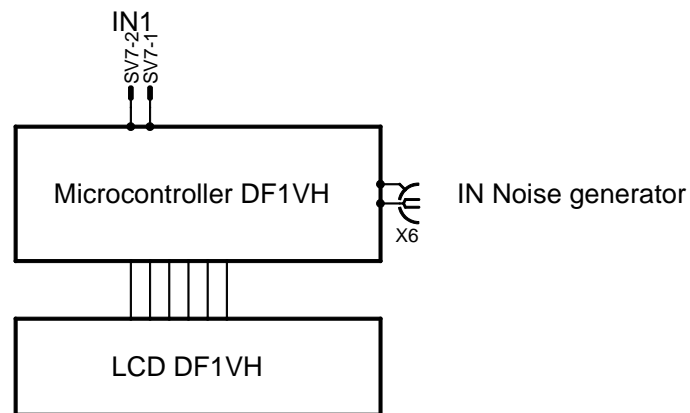


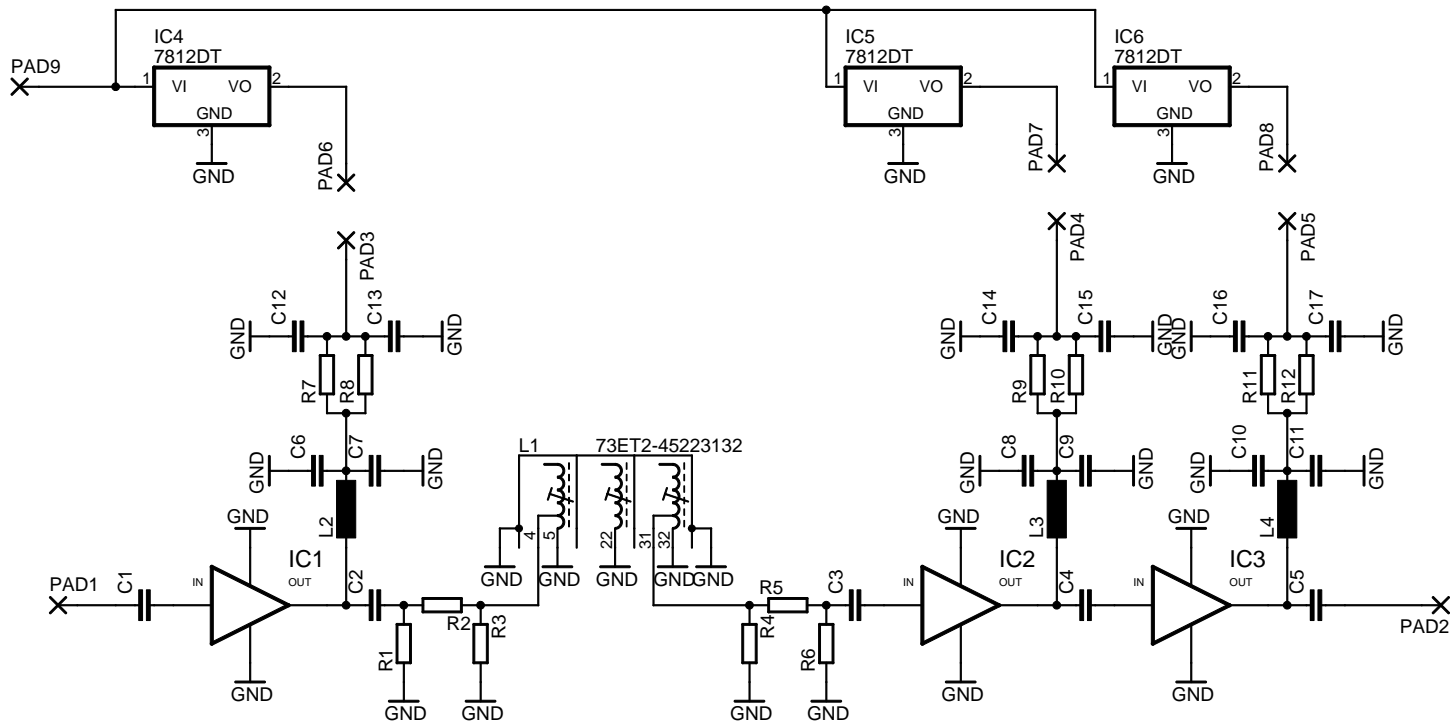
in 144 or 432 MHz



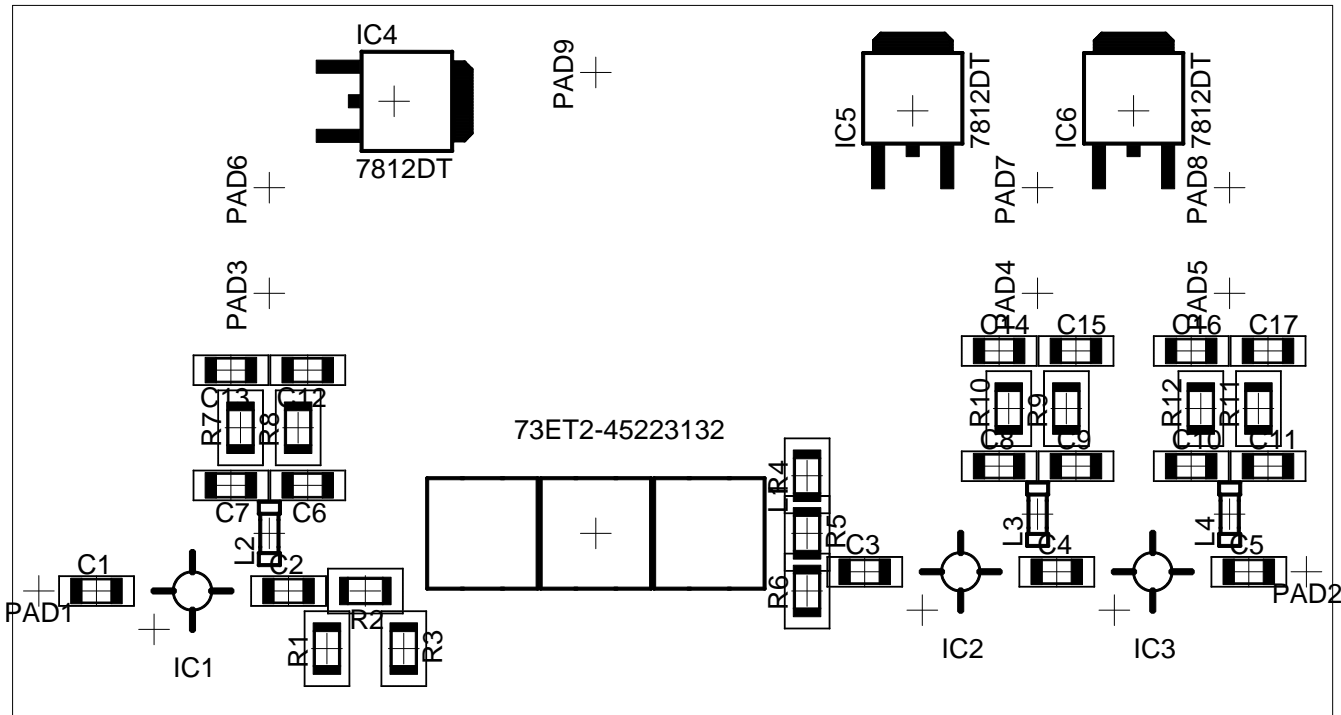
OUT1 - output to microcontroller of Ingo DF1VH  
OUT2 - output to analog milivoltmeter for Sun noise measuring  
OUT3 - other available output

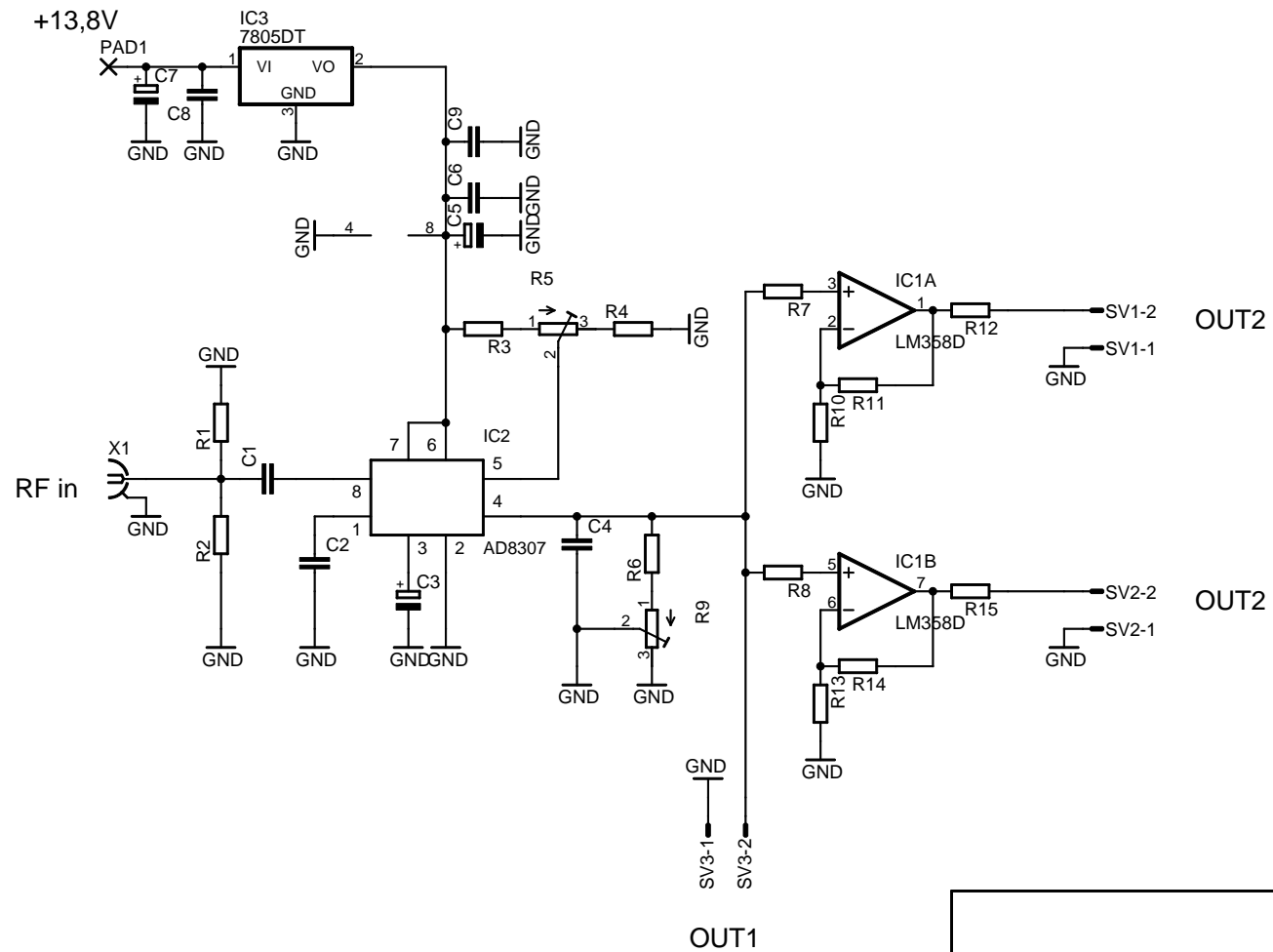


OK1DFC - OK1CA - DF1VH	
TITLE: block	
Document Number:	REV:
Date: 18.02.2007 18:25:28	Sheet: 1/1



<b>DFC - CA SPANFi</b>	
TITLE: amplifier	
Document Number:	REV:
Date: 16.02.2007 10:33:38	Sheet: 1/1





TITLE: detector	
Document Number:	REV:
Date: 17.02.2007 01:29:58	Sheet: 1/1

