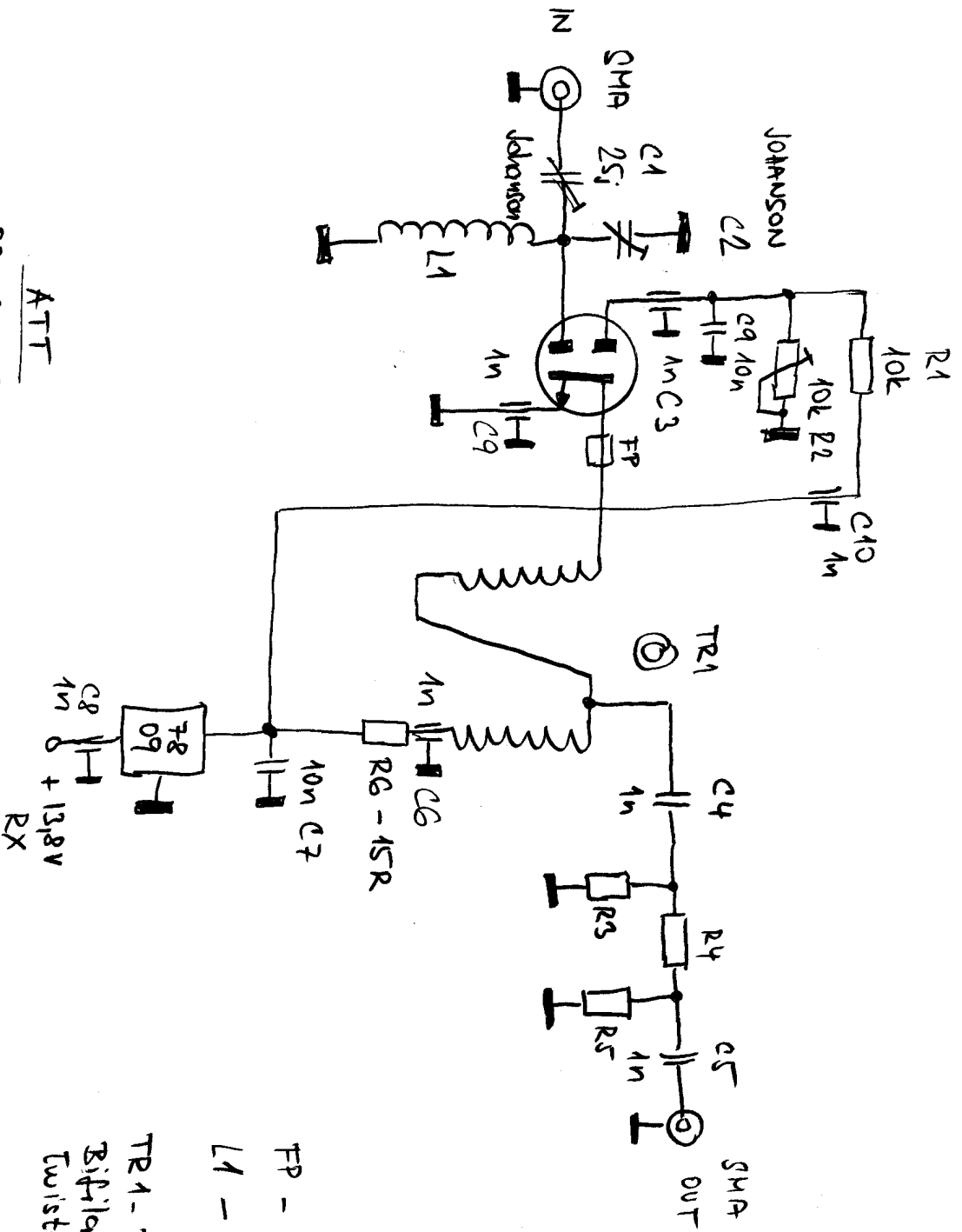


LNA 70 MHz



$N/F = 10dB$
 $G = 16dB$ max.
 $I_D = 18mA$

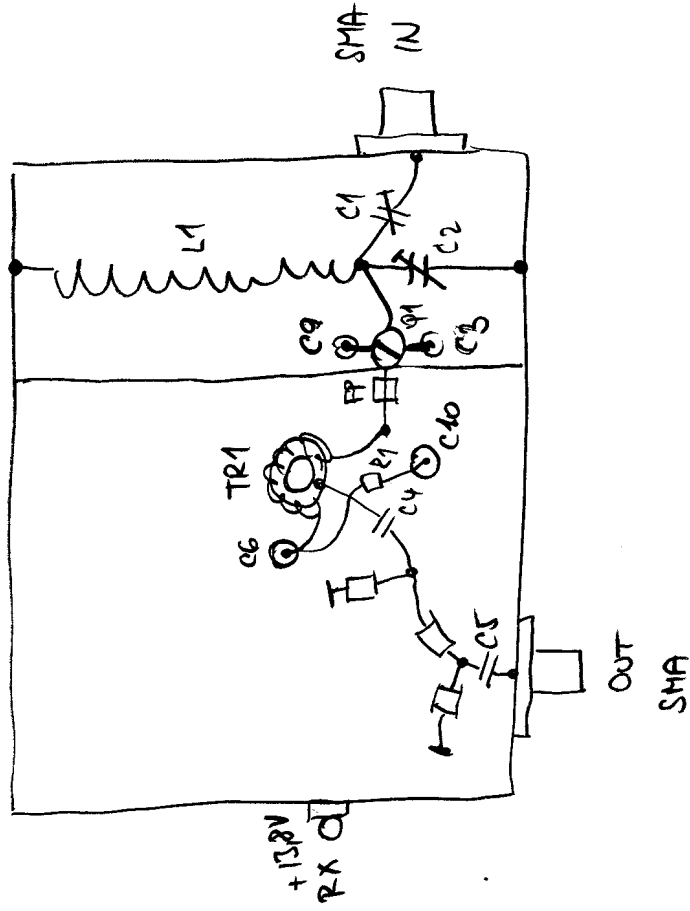
$R3 - R4 - R5$
ATT
 depend requested ATT

FP - FERIT TUBE H18
 $L1 - 8,5 \mu H$ $\phi 1,5 mm$ CuAg
 diam. $\phi 10 mm$
 TR1 - TOROID - $\phi 10 - H18$
 Bifilar coil $2 \times 9 W$.
 Twisted wire $\phi 0,5 mm$

LNA - mechanical description

70 MHz

TOP



BOTTOM

